



**Allegro Sewing
Videos & How-To**

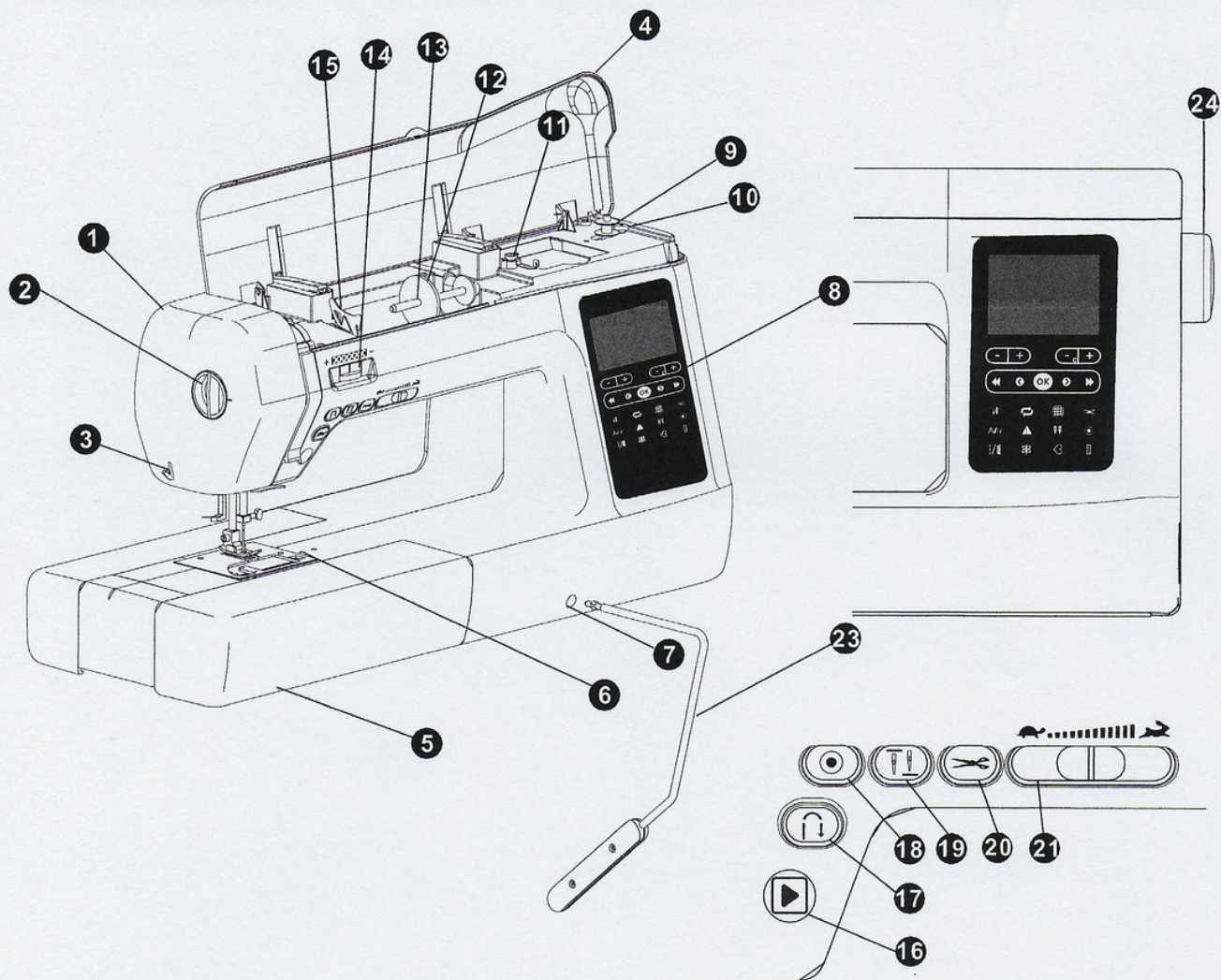
VIDEOS

**How to wind the bobbin and thread
the Babylock Allegro**

Tutorial for the Babylock Allegro

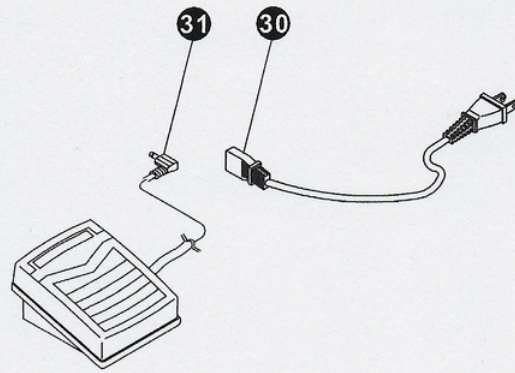
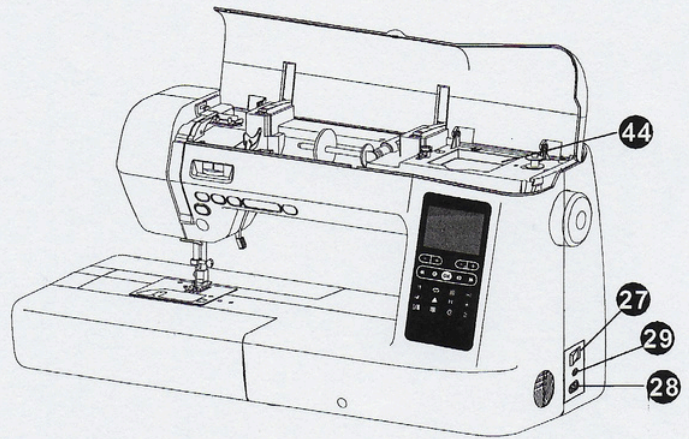
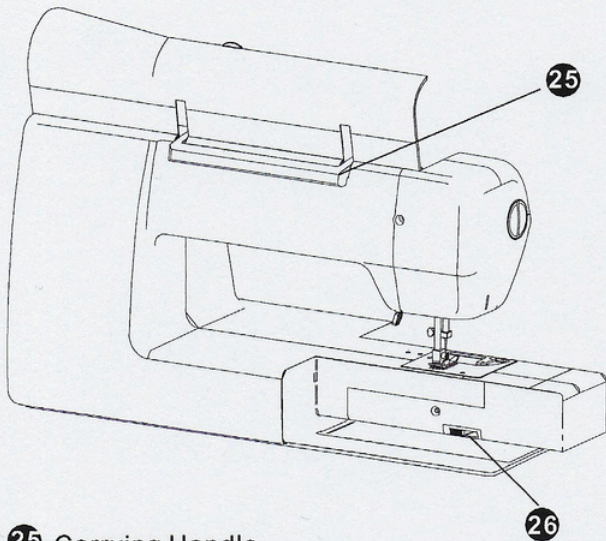
**Navigate the Babylock Allegro
touch panel**

MAIN PARTS



- | | |
|---|----------------------------------|
| 1 Face Cover | 14 Thread Tension Regulator |
| 2 Presser Foot Pressure Adjustment Dial | 15 Thread Guide Plate |
| 3 Thread Cutter | 16 Start/Stop Button |
| 4 Top Lid | 17 Reverse Button |
| 5 Flat Bed Attachment With Accessory Compartments | 18 Lock Stitch Button |
| 6 Thumb Screw Holes | 19 Needle Up/Down Button |
| 7 Knee Lifter Mounting Slot | 20 Thread Trimmer Button |
| 8 Touch Control & Display Panel | 21 Speed Control Slide |
| 9 Bobbin Winder Shaft | 22 Thread Take-Up Lever (inside) |
| 10 Bobbin Winder Stop | 23 Knee Lift |
| 11 Bobbin Winder Pretension Disc | 24 Handwheel |
| 12 Spool Cap | |
| 13 Spool Pin | |

MAIN PARTS



- 25 Carrying Handle
- 26 Drop Feed Dog Lever
- 27 Main Power Switch
- 28 Power Cord Receptacle
- 29 Foot Control Jack
- 30 Power Cord
- 31 Foot Controller
- 32 Lower Thread Guide
- 33 Needle Threader Lever
- 34 Needle Threader
- 35 Buttonhole Lever
- 36 Presser Foot Holder Screw
- 37 Needle Plate
- 38 Presser Foot Lever
- 39 Needle Clamp Screw
- 40 Needle Bar Thread Guide
- 41 Presser Foot Holder
- 42 Presser Foot
- 43 Bobbin Cover
- 44 Accessory storage

