

# **Epson Scanner Videos & How-To**



## **VIDEOS**

**How to scan printed photos with Silverfast**

**How to scan slides with Silverfast**

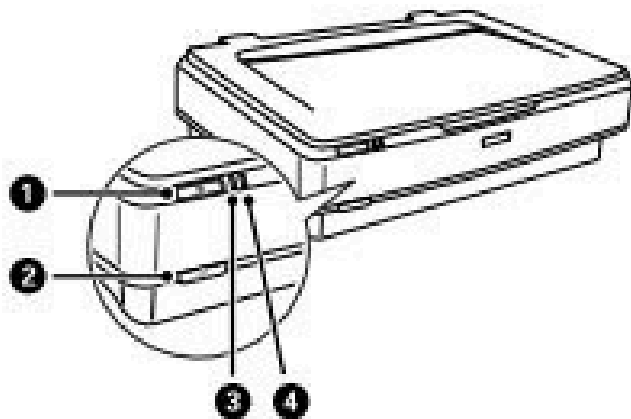
**How to scan negatives with Silverfast**

# DIAGRAM

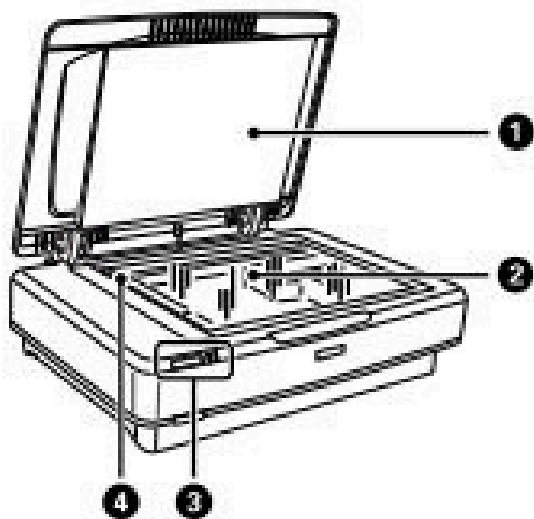
## Part Names

Note:

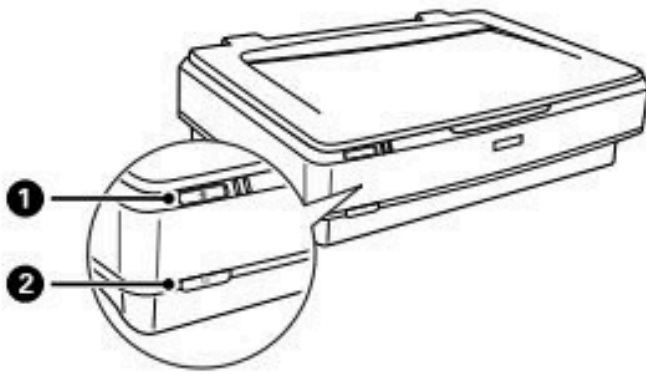
Check all of the items that came with your product.





❶	❖ start button
❷	Ⓜ power button
❸	Ready light
❹	Error light



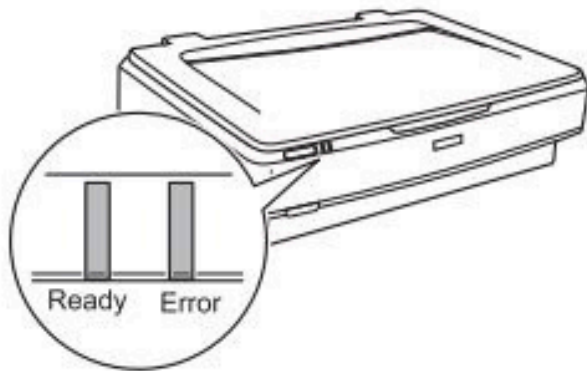
❶	Document cover
❷	Scanner glass
❸	Control panel



1	 button	Starts scanning.
2	 button	Turns the product on if pressed once. Press again to turn the product off.

**Lights**

The status light indicates whether the product is operating normally.



Light	Indicator Status	Meaning
Ready	On	Ready to scan images.  If you cannot scan images, an error may have occurred. Make sure the optional Transparency Unit is completely closed.
	Flashing	Initializing, scanning, or sleeping.
Ready, Error	On	An error has occurred.
	Flashing	An error has occurred.
	Off	The product is off.
Error	Flashing	An error has occurred.